

PINECONE – TABLE

Paola Navone

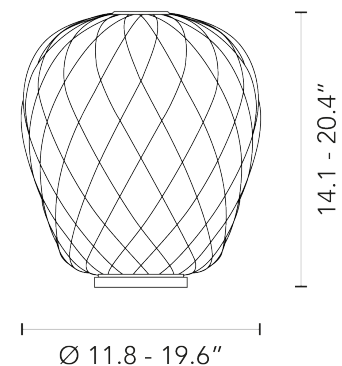
Pinecone is a suspension and table lamp. The diffuser is manufactured using the ancient caged blown glass technique: the glass maker blows the molten glass blob into a metal cage, which only partly contains the blob's natural expansion. In this way, the glass surface is partly trapped by and partly escapes the cage, generating an impression of tension as the object struggles to free itself from its harness; the cage is further enriched by the galvanic treatment that makes it look glossy and brilliant. The transparent version, in particular, reveals a two-fold structure that multiplies the scenic effect, while the metal cage pattern projects kaleidoscopic shade effects on the surrounding surfaces. On the contrary, in the white version the glass delicately envelops the cage surface and enhances its geometric pattern, generating an elegant and visually pleasing diffused light. The lighting fixture makes a highly appealing and striking impact either switched on or off.



PINECONE - TABLE - WHITE, CHROME, MEDIUM

SPECIFICHE TECNICHE

Material	Galvanized metal,Glass
Switching	Dimmer included
Emission	Diffused light
Total power	116W
Light source	E26
Tension	110 V
IP	20



SKU

F436405550CBNU

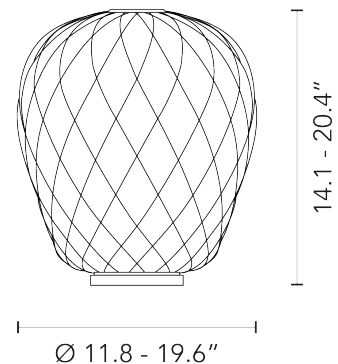
NOTES

Table lamp with diffused and dimmable light. Enclosed diffuser made of frosted blown glass. Cage and base made of chromed metal. Transparent power cable, dimmer and plug. European two-pole plug. Bulb not included.

PINECONE - TABLE - TRANSPARENT, CHROME, MEDIUM

SPECIFICHE TECNICHE

Material	Galvanized metal,Glass
Switching	Dimmer included
Emission	Diffused light
Total power	116W
Light source	E26
Tension	110 V
IP	20



SKU

F436405550TCNU

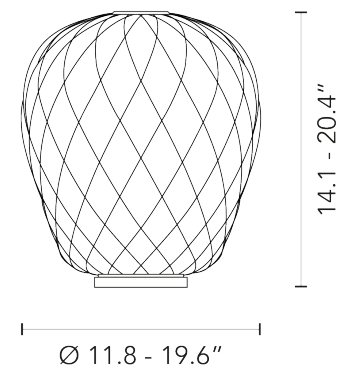
NOTES

Table lamp with diffused and dimmable light. Enclosed diffuser made of frosted blown glass. Cage and base made of chromed metal. Transparent power cable, dimmer and plug. European two-pole plug. Bulb not included.

PINECONE - TABLE - WHITE, GOLD, MEDIUM

SPECIFICHE TECNICHE

Material	Galvanized metal,Glass
Switching	Dimmer included
Emission	Diffused light
Total power	116W
Light source	E26
Tension	110 V
IP	20



SKU

F436405575OBNU

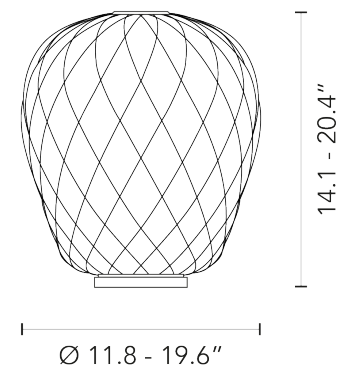
NOTES

Table lamp with diffused and dimmable light. Enclosed diffuser made of frosted blown glass. Cage and base made of chromed metal. Transparent power cable, dimmer and plug. European two-pole plug. Bulb not included.

PINECONE - TABLE - TRANSPARENT, GOLD, MEDIUM

SPECIFICHE TECNICHE

Material	Galvanized metal,Glass
Switching	Dimmer included
Emission	Diffused light
Total power	116W
Light source	E26
Tension	110 V
IP	20



SKU

F436405575TONU

NOTES

Table lamp with diffused and dimmable light. Enclosed diffuser made of frosted blown glass. Cage and base made of chromed metal. Transparent power cable, dimmer and plug. European two-pole plug. Bulb not included.

PINECONE - TABLE - WHITE, CHROME, LARGE

SPECIFICHE TECNICHE

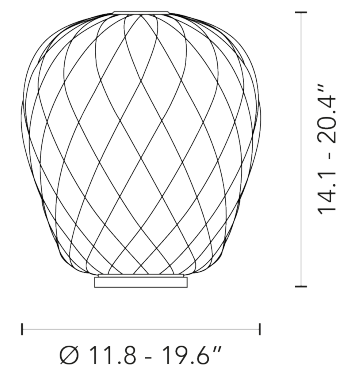
Material	Galvanized metal,Glass
Switching	Dimmer included
Emission	Diffused light
Total power	116W
Light source	E26
Tension	110 V
IP	20

SKU

F434010550CBNU

NOTES

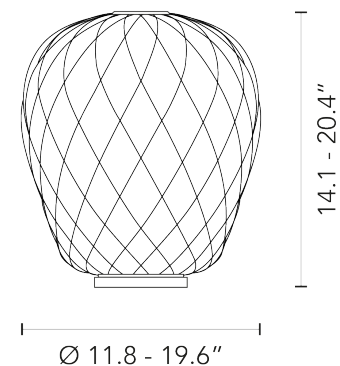
Table lamp with diffused and dimmable light. Enclosed diffuser made of frosted blown glass. Cage and base made of chromed metal. Transparent power cable, dimmer and plug. European two-pole plug. Bulb not included.



PINECONE - TABLE - TRANSPARENT, CHROME, LARGE

SPECIFICHE TECNICHE

Material	Galvanized metal,Glass
Switching	Dimmer included
Emission	Diffused light
Total power	116W
Light source	E26
Tension	110 V
IP	20



SKU

F434010550TCNU

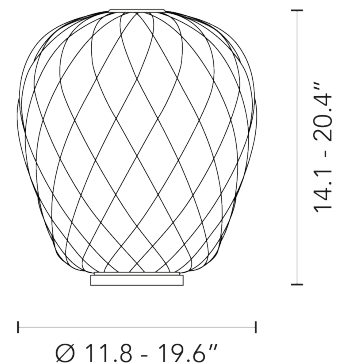
NOTES

Table lamp with diffused and dimmable light. Enclosed diffuser made of frosted blown glass. Cage and base made of chromed metal. Transparent power cable, dimmer and plug. European two-pole plug. Bulb not included.

PINECONE - TABLE - WHITE, GOLD, LARGE

SPECIFICHE TECNICHE

Material	Galvanized metal,Glass
Switching	Dimmer included
Emission	Diffused light
Total power	116W
Light source	E26
Tension	110 V
IP	20



SKU

F434010575OBNU

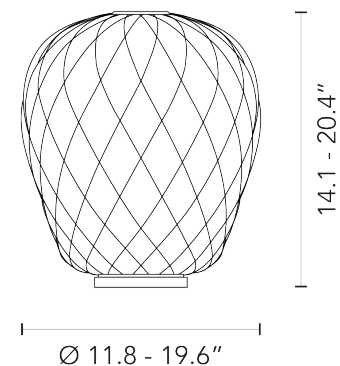
NOTES

Table lamp with diffused and dimmable light. Enclosed diffuser made of frosted blown glass. Cage and base made of chromed metal. Transparent power cable, dimmer and plug. European two-pole plug. Bulb not included.

PINECONE - TABLE - TRANSPARENT, GOLD, LARGE

SPECIFICHE TECNICHE

Material	Galvanized metal,Glass
Switching	Dimmer included
Emission	Diffused light
Total power	116W
Light source	E26
Tension	110 V
IP	20



SKU

F434010575TONU

NOTES

Table lamp with diffused and dimmable light. Enclosed diffuser made of frosted blown glass. Cage and base made of chromed metal. Transparent power cable, dimmer and plug. European two-pole plug. Bulb not included.