

# good company dining table

LL-GC-DNTRD-48-U-(COLOR CODE)

## dimensions:

width: Ø47" (Ø119.4cm)  
depth: Ø43" (Ø109.3cm)  
height: Ø29.7" (Ø75.3cm)

## weight:

109 lbs (49.4kg)

## materials:

HDPE

## shipping method:

oversized

## assembly type:

flat packed

## shipping dimensions:

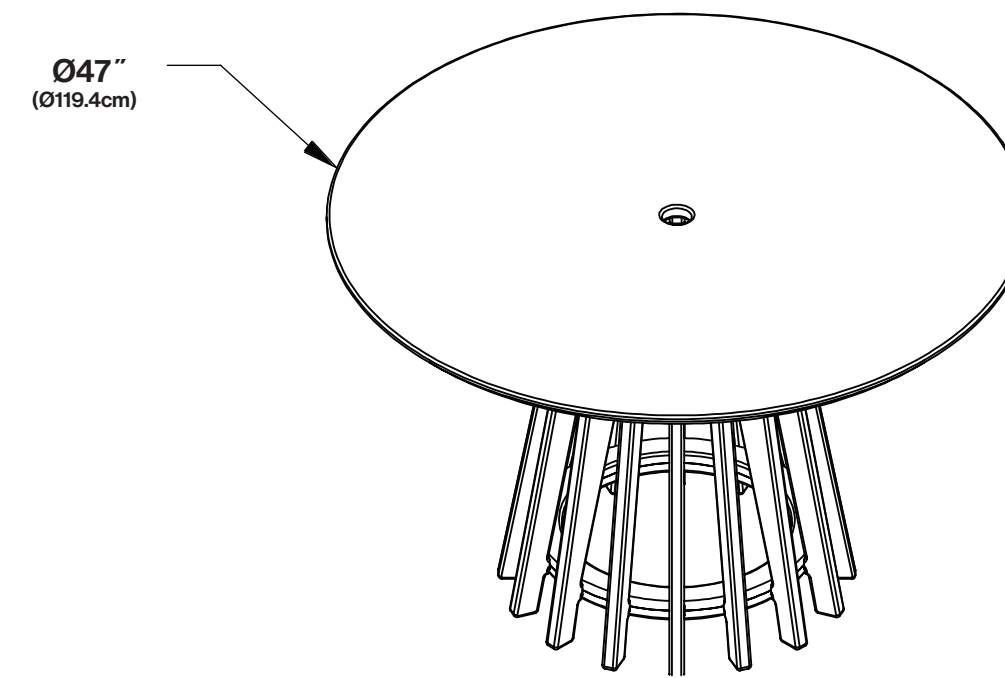
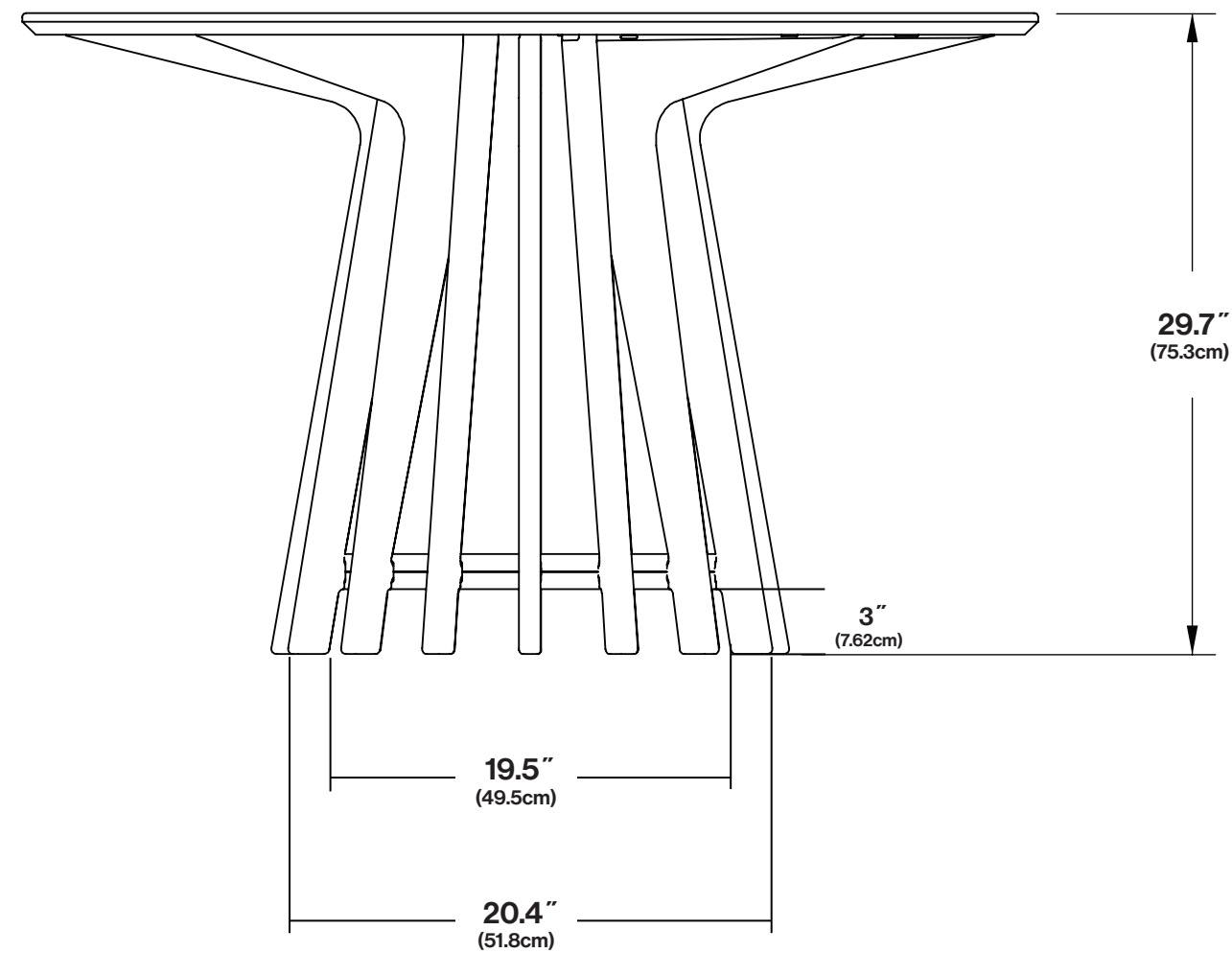
width: 48.5" (119.4cm)  
depth: 43" (109.2cm)  
height 29" (75.3cm)

## shipping weight:

136 lbs (61.7kg)

## hdpe colors:

● SAGE	LL-GC-DNTRD-48-U-SG
● LEAF GREEN	LL-GC-DNTRD-48-U-LG
● SKY BLUE	LL-GC-DNTRD-48-U-SB
● NAVY BLUE	LL-GC-DNTRD-48-U-NB
● CHILI	LL-GC-DNTRD-48-U-CL
● APPLE RED	LL-GC-DNTRD-48-U-AR
● SUNSET ORANGE	LL-GC-DNTRD-48-U-OR
○ CLOUD WHITE	LL-GC-DNTRD-48-U-CW
● FOG	LL-GC-DNTRD-48-U-FG
● DRIFTWOOD	LL-GC-DNTRD-48-U-DW
● ASH BLUE	LL-GC-DNTRD-48-U-AB
● CHARCOAL GREY	LL-GC-DNTRD-48-U-CG
● BLACK	LL-GC-DNTRD-48-U-BL



A table can be more than a spot to savor a tasty meal or a refreshing beverage. It can be the focal point that draws you into your outdoor space with its elegant design alone. The Good Company table with its unique sculptural base is designed to make a statement. Whether you are enjoying a cup of coffee in the morning or bringing friends together for an impromptu happy hour, the Good Company Table can accommodate it all with style.

## security option:

## use with:

alfresco dining chair

Shown above: LL-GC-DNTRD-48-U-CG



DESIGNED + MADE IN THE USA | LOLLDESIGNS.COM

3D MODELS/SPECS  
WARRANTY/SECURITY

