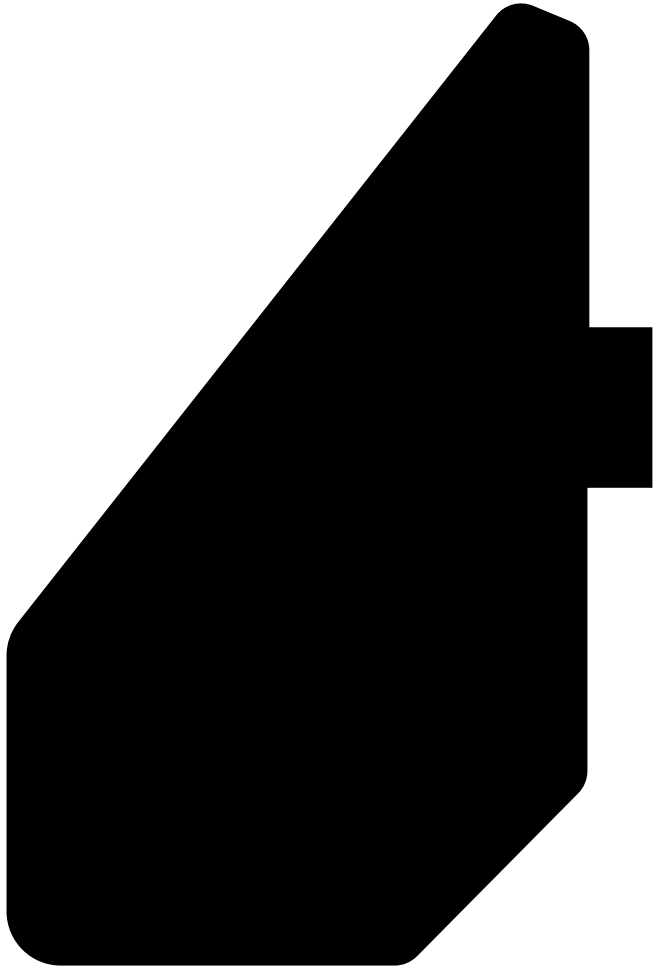


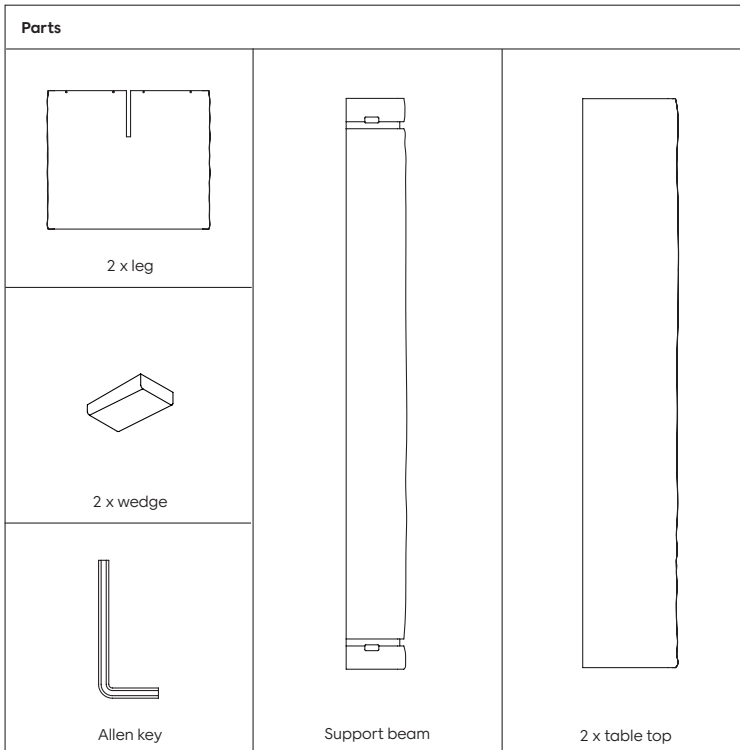
# Bookmatch Table

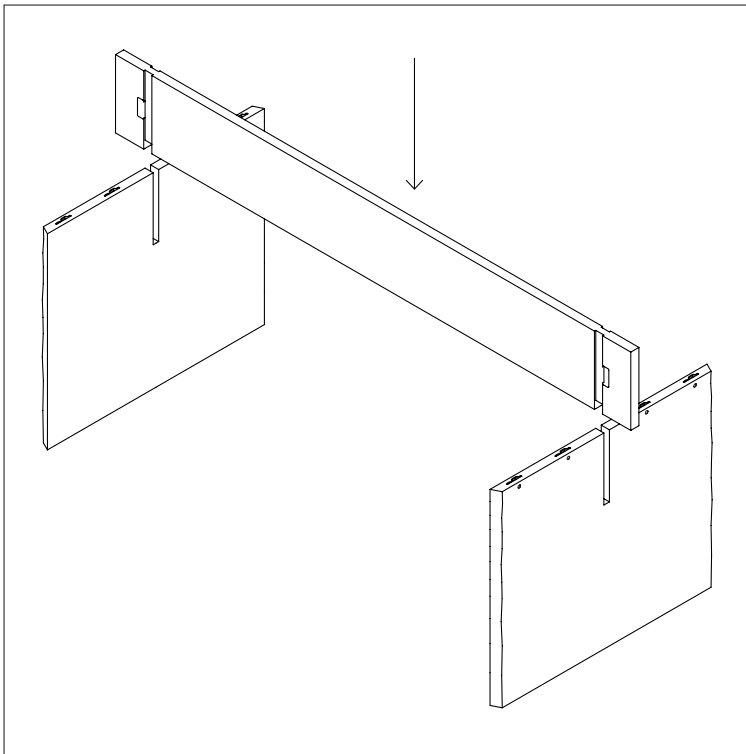


**Assembly  
Instruction**

## Bookmatch Table

The Bookmatch Table by Philippe Malouin channels the natural beauty of freshly sawn timber. It celebrates craftsmanship, and yet is a design for modern manufacture and contemporary living. Featuring two perfectly mirrored wood veneer boards with edges engineered to give a waney (untrimmed) effect and a construction that locks with two wooden wedges, the Bookmatch Table is a perfectly considered homage to traditional carpentry skills. Visually hefty, although actually light, and seemingly raw and crafted, but in reality highly engineered, the Bookmatch Table is a sophisticated piece of furniture for design devotees.



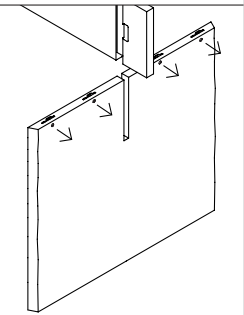


**Step 1**

Place the table feet in stand up position.

Then, slide gently the support rail into the slot of each foot.

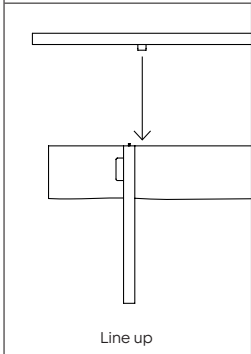
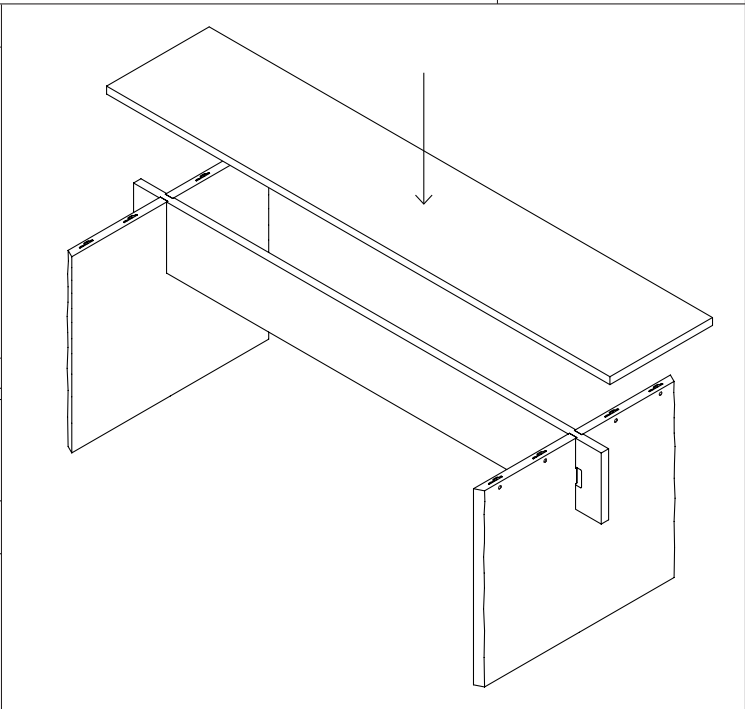
Ensure that the fixing holes on both legs are facing outwards.



Zoom in fixing holes

**Step 2**

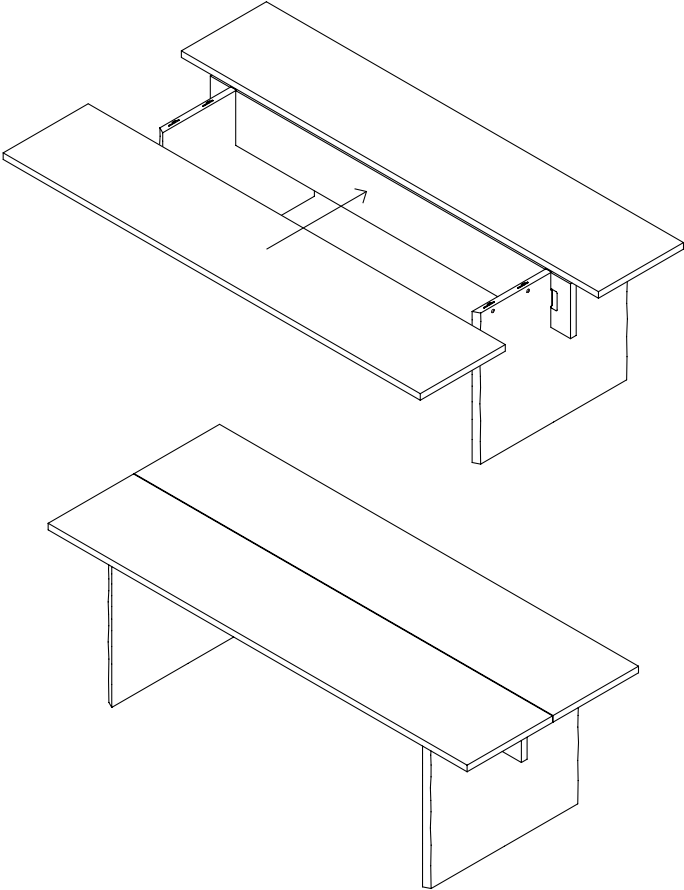
Place the first half of the table top on the structure. Ensure that the fittings line up and engage.



Line up

**Step 3**

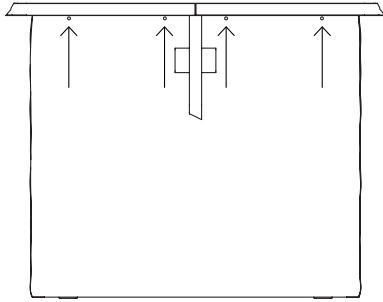
Repeat step 2 with the other half of the table top.



**Step 4**

Fasten each table top on to the structure with the four fittings, two on each side. Each connector will engage when turned with an allen key.

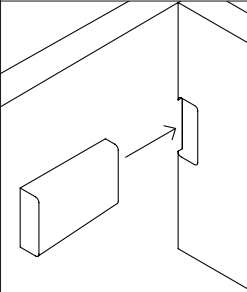
Ensure they are attached by lifting the seat slightly.



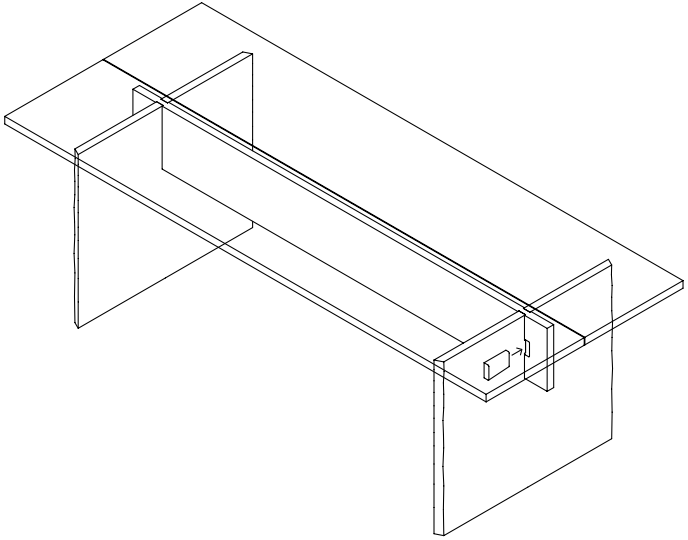
Front view leg:  
4 connectors on each leg

**Step 5**

Firmly push the wedges in the holes on each end of the table frame.

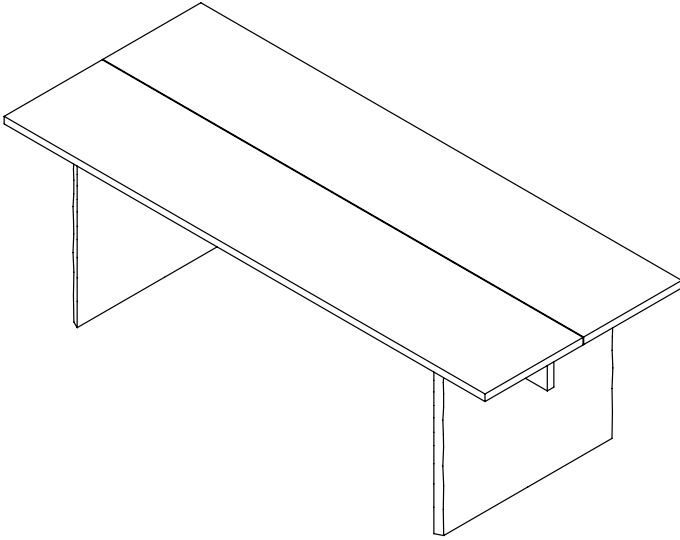


Zoom in



**Step 6**

Your Bookmatch Table is now ready assembled.



Should you have any problems assembling your product, contact us at [info@hem.com](mailto:info@hem.com). We're always happy to help!

We have carefully selected the materials used in this product, and ask you to treat it responsibly too.  
Please recycle all packaging according to your local disposal rules.

# Hem